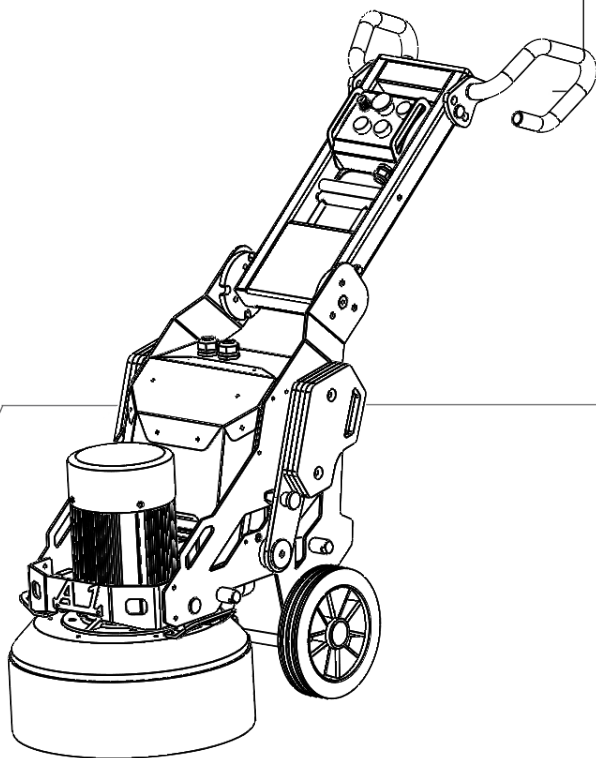


Operating Manual of Floor Grinder

A2-L20



Please carefully read the manual before use and keep it properly for future review.

Dear customers:

Thank you for your purchase of floor grinder

Function introduction	1-2
How to properly use the floor grinder	3-4
Function introduction	5
Maintenance	6-7
Technical parameters	8

Safety warnings

This manual contains important safety information, please read closely and follow the instructions below.

About Electricity



Please always hold the plastic end instead of the power cord when plugging or unplugging.

Do not use it when the power cord is broken nor is the plug worn out. It has to be repaired or replaced if the power cord is worn or damaged.



Please use a standard dedicated power outlet alone, which should not be shared with other electrical appliances.

The power plug should be kept in solid contact with the socket, otherwise it may lead to fire or other safety hazards
Please use a reliable ground wire.



It is forbidden to place any debris on top of the motor.
Please put the power cord on the pole of the grinder.



Unplug the power supply when the power is off. Long time standby may affect the life of the motor.

Safety warnings

This manual contains important safety information, please read closely and follow the instructions below.

About Operation



Private transformation is strictly prohibited, and maintenance of the grinder must be carried out by professional personnel. Please follow the guidance of the manufacturer if the machine needs to be repaired.



Do not rinse or spray fluid to the motor, and do not keep the grinder in a damp, splashed place for a long time. Otherwise its insulation performance will be affected.



Please make sure that there is no obstruction around when using the grinder.



Press the [Emergency Stop] to stop the machine in an emergency

Name of each part

Handle

Control Panle

Motor

Gear Box

Dust Shroud

Extra Weight

Dust Hole

Wheel

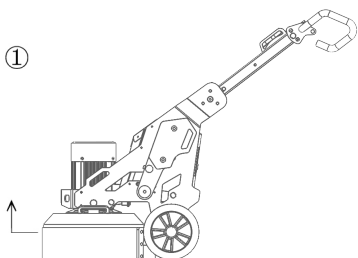
(The schematic diagram shows A2)L20



Some features and accessories of the grinder you purchased may differ from the schematic diagram, the physical product will prevail.

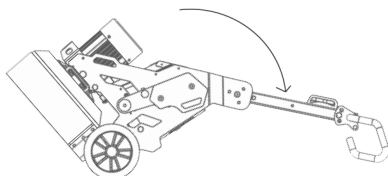
How to properly use the floor grinder

①



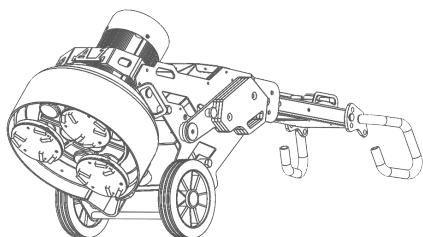
Hold the crank with hand while treading the pedal to press down

②



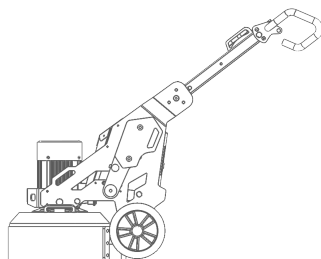
Put down the grinder slowly and smoothly

③



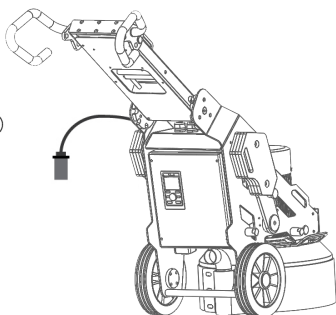
Install the diamond bit or abrasive disc

④



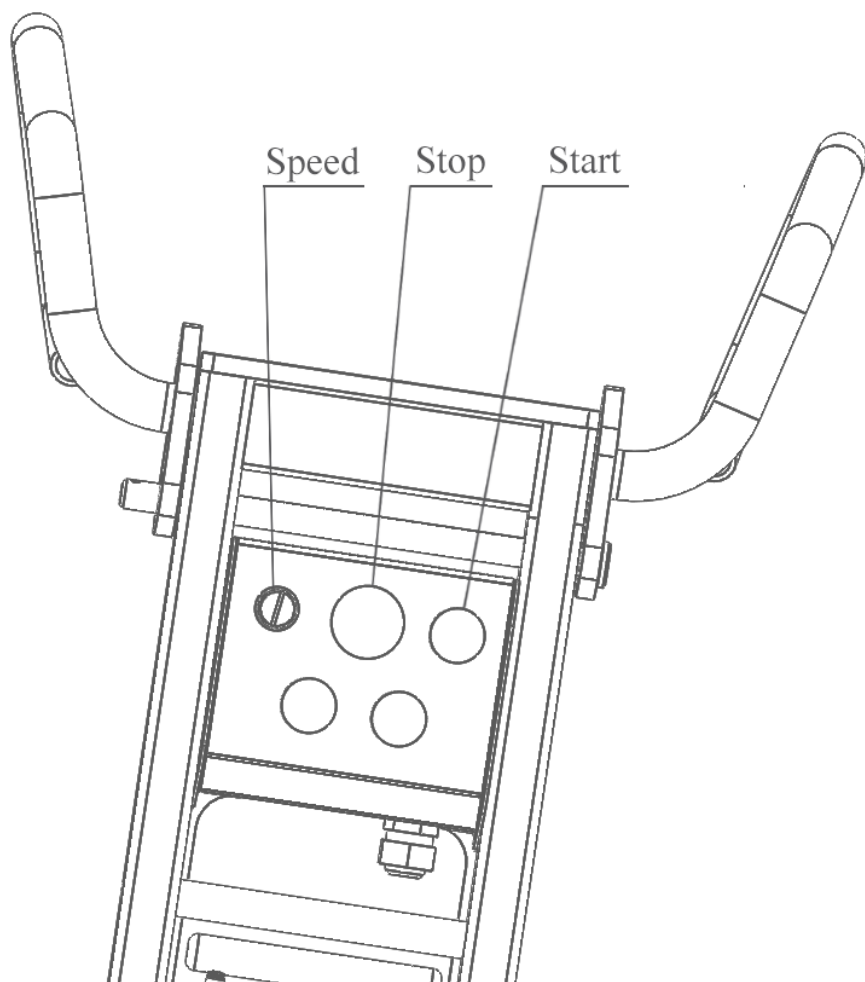
Return the grinder to the normal position

⑤



Check the power line, socket and the plug inserted in the electricity box of grinder and make sure that they are securely connected, then, connect to the power supply.

Function introduction



Some features and accessories of the grinder you purchased may differ from the schematic diagram, the physical product will prevail.

Methods and steps



Please clean the dust on the grinding plate after using.



Please, after one job is done, check the screws and tighten the loosed ones again.



Please clean the dust of the cooling window once a month if use the grinder for dry grinding for a long time.



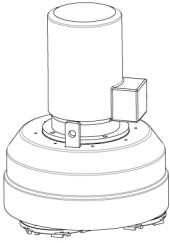
Please change the gear oil for 6-12 months.



Do not operate the new grinder excessively, otherwise, certain damage may occur for the motor.

Replace the engine oil

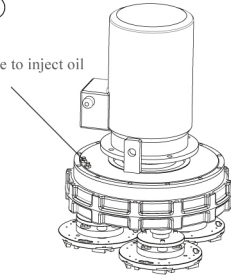
①



Separate the tank and remove the cover

②

Air valve/hole to inject oil



Unscrew the M16 plug for oil hole with L shape hexagon wrench

③

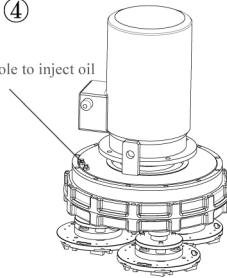
Hole to release oil



Upward the grinder and unscrew the M16 plug for oil hole, then, the engine oil will flow out (Make sure to collect the waste oil). Once release all the oil and screw the plug.

④

Air valve/hole to inject oil



Inject about 5.5L engine oil from the hole of air valve and then screw the air valve once the injection is done to complete the replacement of engine oil.

Technical parameters

Driving mode	Hand-operated/remote control
Dust cleaning hole	50mm
Voltage	220V Single Phase
Abrasive plate	3
Frequency conversion	Yes
Working width	450mm(20inch)
Motor	3HP(2.2KW)
Speed	0~1800RPM
Weight	143KG(315LB)
Size	850*450*760mm
Type	Planetary
Driven	Gear Driven



The parameters may change due to product and technology upgrade without prior notice. The nameplate pasted on the product will prevail.